

Small character inkjet printer

Image 9040

9040



A DOVER COMPANY

YOU MAKE IT, WE MARK IT

Image 9040



Printing capabilities

- Mono or bi-jet printhead
- Single or dual printhead systems
- G head (printing resolution: 71 dpi) - M head (printing resolution: 115 dpi) - P head (printing resolution: 178 dpi)
- Up to 8 lines of text
- Print speed: up to 5.5 m/s (1082 fpm)
- Font sizes from 5 dots to two 24-dot lines
- Character height from 0.7 mm to 18.2 mm (0.02" to 0.71")
- One and two-dimensional barcodes (Datamatrix)
- Wide selection of characters (Latin, Arabic, Cyrillic, Greek, Japanese, Chinese, Hebrew, Korean...)

Operations

- Message library (up to 2000 messages)
- User interface available in 28 languages
- Large WYSIWYG backlit display
- Creation of logos directly on the user interface
- PCMCIA and Compact Flash cards capable
- Jet Speed Control for optimum print quality
- Automatic font selection; print speed and printhead to substrate distance dependent
- Wide range of inks: fast-dry and alcohol-based
- 2 tanks (1 liter each)
- Quick connect interface panel for accessories (photocell, encoder, alarm)
- RS-232/422 connectivity, parallel interface and I/O slot for remote access

Other characteristics

- Weight: 40 kg (88 lbs)
- 3-meter (10 ft) flexible umbilical
- Stainless steel cabinet
- Dust/humidity protection rating: IP54
- No plant air required
- Operating temperature range: 0° to 50° C (32° to 125° F)
- Humidity: 10% to 90% non-condensing
- Electrical power supply: 100-120 V or 200-240 V with automatic switching; frequency 50/60 Hz; power 200 VA

Options

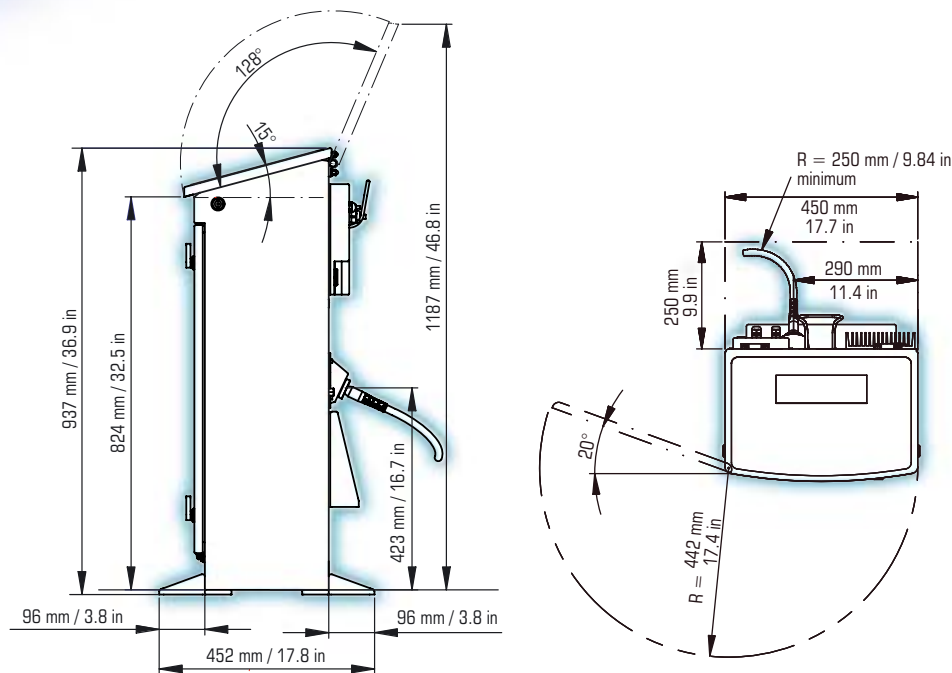
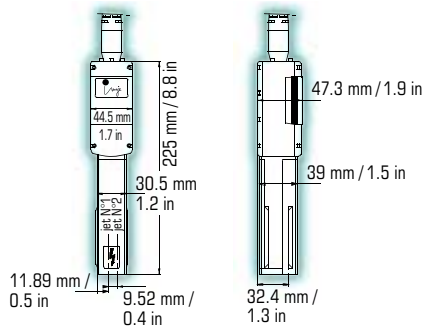
- IP65 (requires plant air)
- High speed (S version)
- Ethernet connectivity
- Printhead pressurization kit
- 5 or 8-meter flexible umbilical
- 90° bent umbilical
- 90° bent printhead

Accessories

- Printhead stand (aluminum or stainless steel)
- Various printhead brackets
- Stainless steel printhead cover
- Photocell
- Encoder
- Alarm beacon (24 V)

Available configurations

	9040	9040 IP65	9040 S
1.1 G	•	•	
1.2 G	•	•	
1.1 M	•	•	
1.2 M	•	•	
1.2 MS			•
1.1 P	•		
2.1 G	•	•	
2.2 G	•	•	
2.1 M	•	•	
2.2 M	•	•	



We reserve the right to amend the design and/or specifications of our products without notice.

The Quality Management System of the factory where this equipment was manufactured has been certified ISO 9001 / ISO 14001.

Image S.A.

Head office
 9, rue Gaspard Monge
 BP 110
 26501 Bourg-lès-Valence Cedex
 France
 Tel.: (33) 4 75 75 55 00
 Fax: (33) 4 75 82 98 10
<http://www.image.com>



A DOVER COMPANY

YOU MAKE IT, WE MARK IT